



LIGITEK

LIGITEK ELECTRONICS CO.,LTD.
Property of Ligitek Only

FOUR DIGIT LED DISPLAY(0.39Inch)



Lead-Free Parts

LFD4H5/62-XX/RP125-PF

DATA SHEET

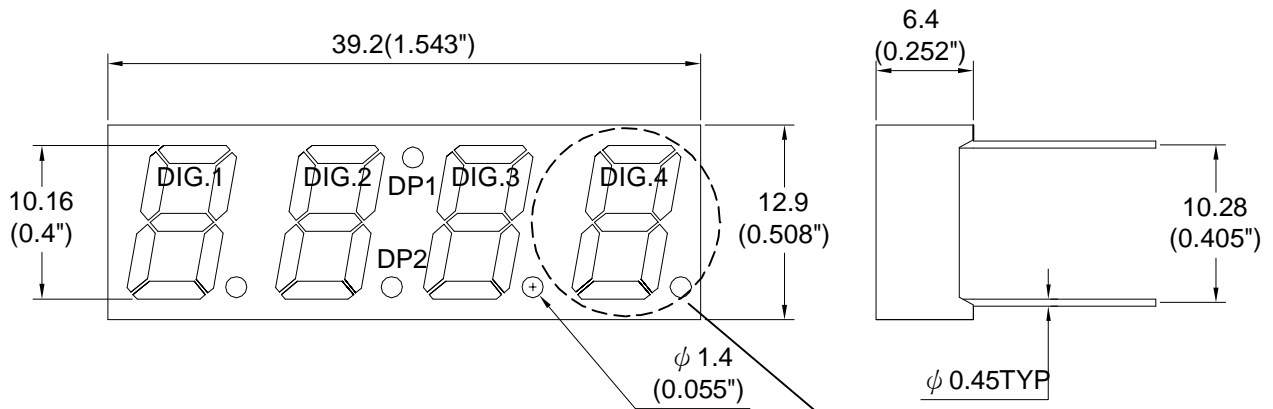
DOC. NO : QW0905-LFD4H5/62-XX/RP125-PF

REV. : A

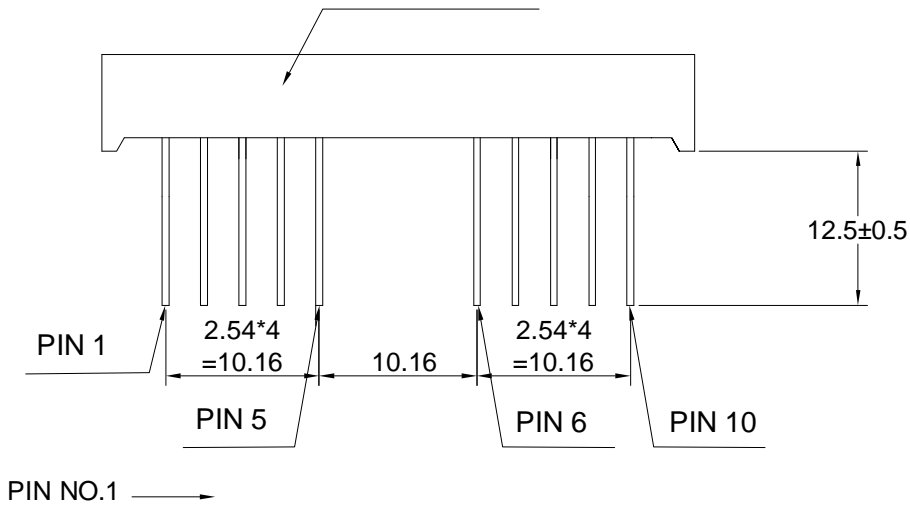
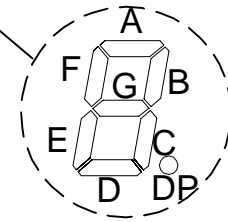
DATE : 11 - Apr. - 2006



Package Dimensions



LFD4H5/62-XX/RP125-PF
LIGITEK

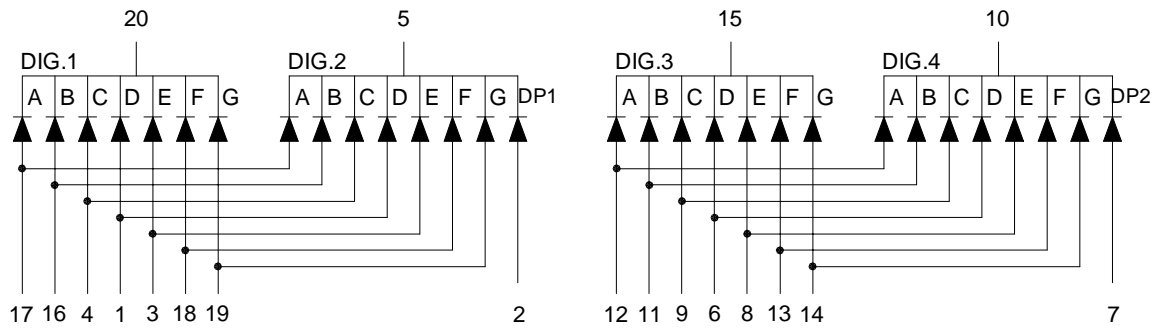


Note : 1.All dimension are in millimeters and (Inch) tolerance is $\pm 0.25\text{mm}$ unless otherwise noted.
 2.Specifications are subject to change without notice.

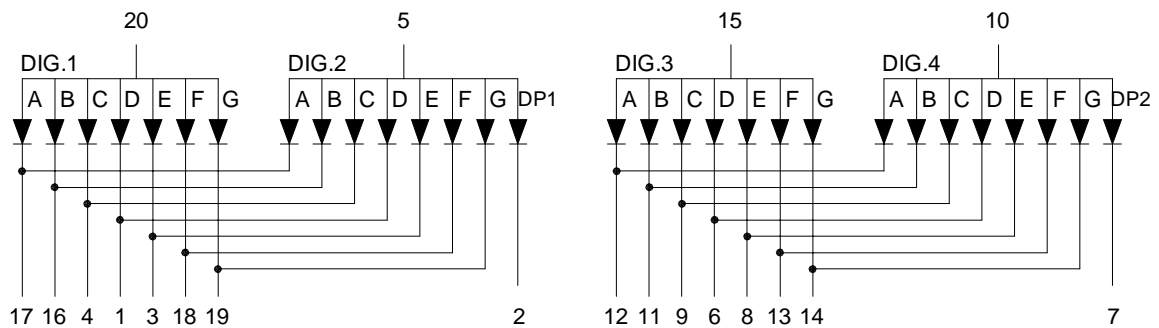


Internal Circuit Diagram

LFD4H52-XX/RP125-PF



LFD4H62-XX/RP125-PF





Electrical Connection

PIN NO	LFD4H52-XX/RP125-PF	PIN NO	LFD4H62-XX/RP125-PF
1	Anode D (Dig.1,Dig.2)	1	Cathode D (Dig.1,Dig.2)
2	Anode DP 1	2	Cathode DP1
3	Anode E (Dig.1,Dig.2)	3	Cathode E (Dig.1,Dig.2)
4	Anode C (Dig.1,Dig.2)	4	Cathode C (Dig.1,Dig.2)
5	Common Cathode Dig.2	5	Common Anode Dig.2
6	Anode D (Dig.3,Dig.4)	6	Cathode D (Dig.3,Dig.4)
7	Anode DP2	7	Cathode DP2
8	Anode E (Dig.3,Dig.4)	8	Cathode E (Dig.3,Dig.4)
9	Anode C (Dig.3,Dig.4)	9	Cathode C (Dig.3,Dig.4)
10	Common Cathode Dig.4	10	Common Anode Dig.4
11	Anode B (Dig.3,Dig.4)	11	Cathode B (Dig.3,Dig.4)
12	Anode A (Dig.3,Dig.4)	12	Cathode A (Dig.3,Dig.4)
13	Anode F (Dig.3,Dig.4)	13	Cathode F (Dig.3,Dig.4)
14	Anode G (Dig.3,Dig.4)	14	Cathode G (Dig.3,Dig.4)
15	Common Cathode Dig.3	15	Common Anode Dig.3
16	Anode B (Dig.1,Dig.2)	16	Cathode B (Dig.1,Dig.2)
17	Anode A (Dig.1,Dig.2)	17	Cathode A (Dig.1,Dig.2)
18	Anode F (Dig.1,Dig.2)	18	Cathode F (Dig.1,Dig.2)
19	Anode G (Dig.1,Dig.2)	19	Cathode G (Dig.1,Dig.2)
20	Common Cathode Dig.1	20	Common Anode Dig.1



Absolute Maximum Ratings at Ta=25 °C

Parameter	Symbol	Ratings	UNIT
		G	
Forward Current Per Chip	IF	30	mA
Peak Forward Current Per Chip (Duty 1/10,0.1ms Pulse Width)	IFP	120	mA
Power Dissipation Per Chip	PD	100	mW
Reverse Current Per Any Chip	Ir	10	μA
Operating Temperature	Topr	-25 ~ +85	°C
Storage Temperature	Tstg	-25 ~ +85	°C
Solder Temperature 1/16 Inch Below Seating Plane For 3 Seconds At 260 °C			

Part Selection And Application Information(Ratings at 25°C)

PART NO	CHIP		common cathode or anode	λ P (nm)	Δ λ (nm)	Electrical					IV-M
	Material	Emitted				Vf(v)			Iv(mcd)		
						Min.	Typ.	Max.	Min.	Typ.	
LFD4H52-XX/RP125-PF	GaP	Green	Common Cathode	565	30	1.7	2.1	2.6	1.75	3.05	2:1
LFD4H62-XX/RP125-PF			Common Anode								

- Note : 1.The forward voltage data did not including ±0.1V testing tolerance.
2. The luminous intensity data did not including ±15% testing tolerance.



Test Condition For Each Parameter

Parameter	Symbol	Unit	Test Condition
Forward Voltage Per Chip	Vf	volt	If=20mA
Luminous Intensity Per Chip	Iv	mcd	If=10mA
Peak Wavelength	λp	nm	If=20mA
Spectral Line Half-Width	$\Delta \lambda$	nm	If=20mA
Reverse Current Any Chip	Ir	μA	Vr=5V
Luminous Intensity Matching Ratio	IV-M		



Typical Electro-Optical Characteristics Curve

G CHIP

Fig.1 Forward current vs. Forward Voltage

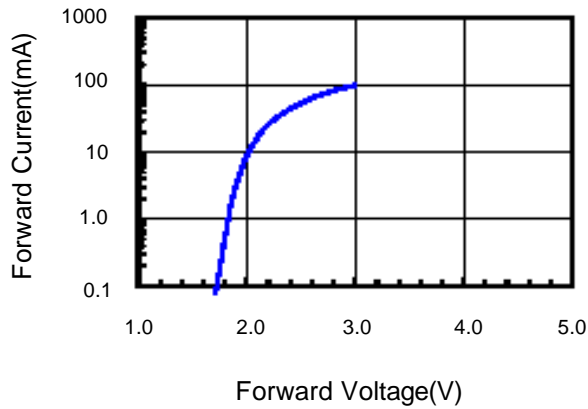


Fig.2 Relative Intensity vs. Forward Current

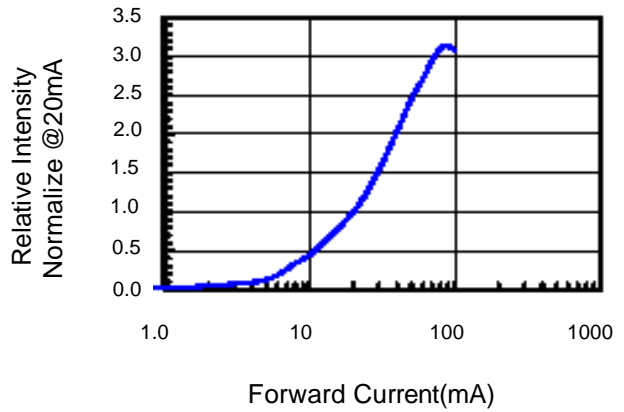


Fig.3 Forward Voltage vs. Temperature

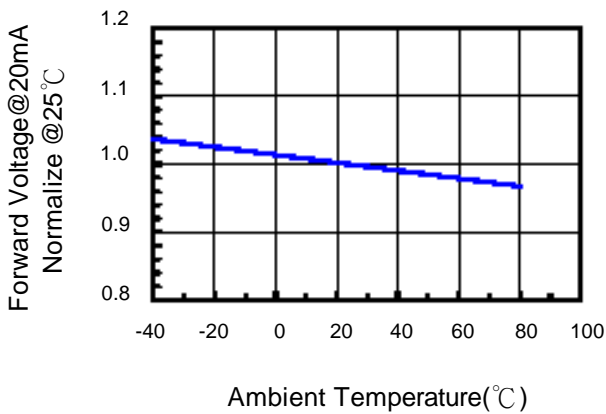


Fig.4 Relative Intensity vs. Temperature

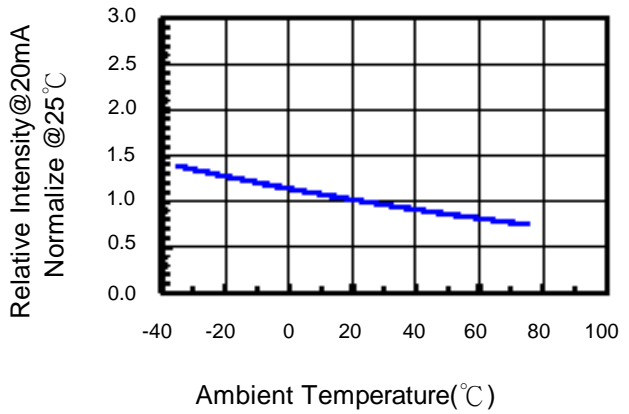


Fig.5 Relative Intensity vs. Wavelength

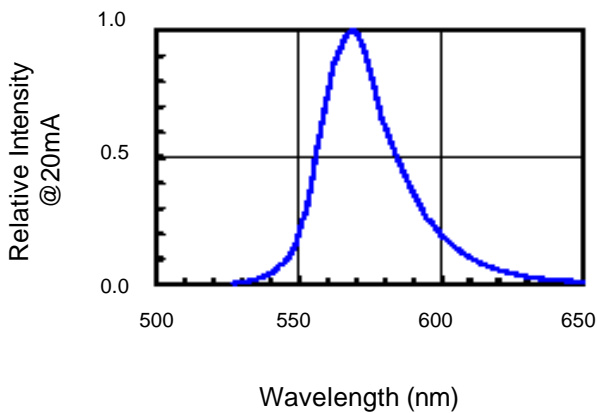


Fig.6 Directive Radiation



Soldering Condition(Pb-Free)

1.Iron:

Soldering Iron:30W Max

Temperature 350° C Max

Soldering Time:3 Seconds Max(One Time)

Distance:Solder Temperature 1/16 Inch Below Seating
Plane For 3 Seconds At 260° C

2.Wave Soldering Profile

Dip Soldering

Preheat: 120° C Max

Preheat time: 60seconds Max

Ramp-up

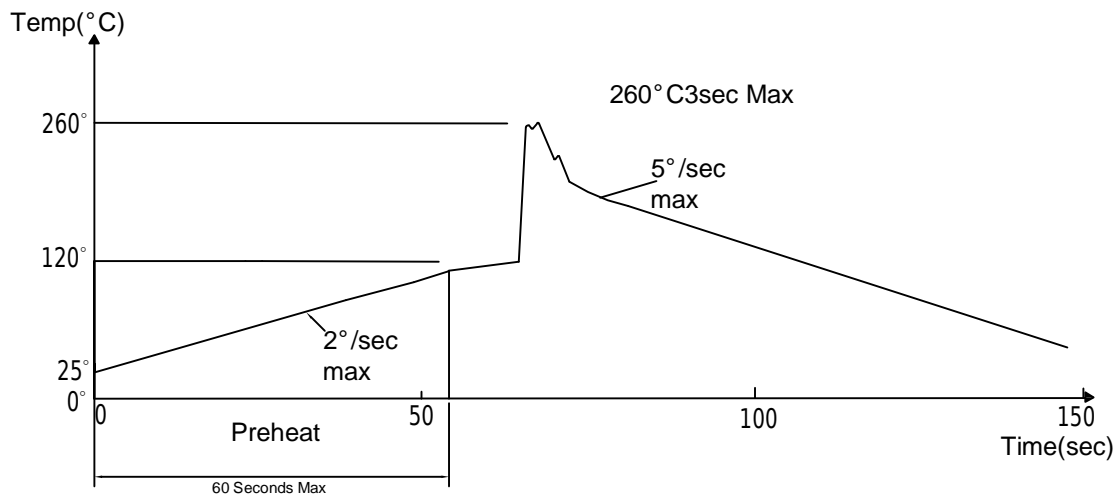
2° C/sec(max)

Ramp-Down:-5° C/sec(max)

Solder Bath:260° C Max

Dipping Time:3 seconds Max

Distance:Solder Temperature 1/16 Inch Below Seating
Plane For 3 Seconds At 260° C



**Reliability Test:**

Test Item	Test Condition	Description	Reference Standard
Operating Life Test	1.Under Room Temperature 2.If=10mA 3.t=1000 hrs (-24hrs, +72hrs)	This test is conducted for the purpose of determining the resistance of a part in electrical and thermal stressed.	MIL-STD-750: 1026 MIL-STD-883: 1005 JIS C 7021: B-1
High Temperature Storage Test	1.Ta=105 °C±5°C 2.t=1000 hrs (-24hrs, +72hrs)	The purpose of this is the resistance of the device which is laid under condition of high temperature for hours.	MIL-STD-883:1008 JIS C 7021: B-10
Low Temperature Storage Test	1.Ta=-40 °C±5°C 2.t=1000 hrs (-24hrs, +72hrs)	The purpose of this is the resistance of the device which is laid under condition of low temperature for hours.	JIS C 7021: B-12
High Temperature High Humidity Test	1.Ta=65 °C±5°C 2.RH=90 %~95% 3.t=240hrs ±2hrs	The purpose of this test is the resistance of the device under tropical for hours.	MIL-STD-202:103B JIS C 7021: B-11
Thermal Shock Test	1.Ta=105 °C±5°C & -40°C±5°C (10min) (10min) 2.total 10 cycles	The purpose of this is the resistance of the device to sudden extreme changes in high and low temperature.	MIL-STD-202: 107D MIL-STD-750: 1051 MIL-STD-883: 1011
Solder Resistance Test	1.T.Sol=260 °C±5°C 2.Dwell time= 10 ±1sec.	This test intended to determine the thermal characteristic resistance of the device to sudden exposures at extreme changes in temperature when soldering the lead wire.	MIL-STD-202: 210A MIL-STD-750: 2031 JIS C 7021: A-1
Solderability Test	1.T.Sol=230 °C±5°C 2.Dwell time=5 ±1sec	This test intended to see soldering well performed or not.	MIL-STD-202: 208D MIL-STD-750: 2026 MIL-STD-883: 2003 JIS C 7021: A-2